

Make your Video Conferencing / Recording & Streaming Easy

All-In-One PTZ 4K @ 30FPS video conferencing Dual Camera Video Conferencing bar system



ProCAM Ai-NexG12



Bringing you the world's advanced & high-quality video conferencing



ProCAM Ai-NexG12

- Great Assistance
- Ai Speaker Tracking
- Ai Auto Person Tracking
- Ai Auto Framing
- Ai Gesture Control
- Ai Picture-in-Picture
- Ai Camera Presenter Tracking
- Ai Smart Gallery Mode
- Dual Camera
- Crystal Clear Voice
- Crystal Clear Image
- Upto 8Mts Pickup
- Option to Add Mic
- Optional Ceiling / Table / Wall Mounting Mics
- HDMI Out
- UVC Plug & Play
- IP Control & Stream
- Separate POE for Add-On
- RTSP, TCP-IP ...
- Automatic Noise Suppression
- Automatic Gain Control
- Automatic Acoustic Echo Cancellation
- Optional USB-C Dongle
- BYOD BYOM
- Back Light Compensation
- User Friendly Hand Remote
- Lense Shutter
- Change as you Desire

Experience dynamic efficiency. Meet the world's most user-friendly, advanced video conferencing bar, designed for maximum conference room effectiveness. Its intelligent features elevate user comfort and dramatically boost overall team communication, streamlining every interaction.

Dual CAMERA Vision - Intelligent Coverage

Achieve intelligent, comprehensive coverage. The UNIQ ProCAM Ai-NexG12 boasts a sophisticated dual-camera system with advanced imaging.



A 4K30FPS PTZ main camera captures participant details, while its 120-degree panoramic camera actively monitors room movement. This second lens feeds vital data to the AI engine for dynamic room views and also serves as a versatile secondary camera.

AI That Works Smarter—So You Don't Have To ...?

The UNIQ ProCAM Ai-NexG12 is equipped with a next-generation AI engine designed to enhance your conferencing experience with minimal manual input. From intelligent framing to automatic adjustments, it takes the pressure off the presenter—so you can focus on the conversation, not the controls.

Smarter Focus with Adaptive AI Framing:

Powered by advanced AI, the system intelligently tracks head movements, facial expressions, full-body presence, and even the direction of sound. The dual-camera setup dynamically adjusts framing and zoom in real time — bringing the right person into focus, no matter how fast the conversation flows. From spontaneous discussions to structured meetings, every participant stays centered, seen, and heard.

Synchronized Intelligence. Flawless Communication.

The AI-driven core of ProCAM Ai-NexG12 synchronizes video, audio, camera movement, and control processing in real time—creating a seamless, unified experience. Every speaker is automatically framed and heard with crystal clarity, ensuring smooth transitions and professional-grade performance in every meeting. With ProCAM Ai-NexG12, conversations flow naturally, and every participant stays fully engaged.

01

Person Tracking: Go hands-free.

AI intelligently tracks and follows the presenter, eliminating manual camera control.



Speaker Tracking: Focus on the voice.

This AI feature automatically tracks the active speaker in the room, ensuring clarity.

02

03

Auto Framing: Achieve perfect framing, every time.

AI automatically frames the active person centrally, adjusting for an ideal fit.



Gesture Tracking: Command with a wave.

Control the camera by simple human gestures, removing the need for manual adjustments or external help.

04

05

Experience the Next-Generation Collaboration by Smart Gallery: Experience truly dynamic collaboration.

This AI feature captures individual close-ups of presenters and arranges them in gallery mode for up to 7 people, also offering a full room view when all are occupied.



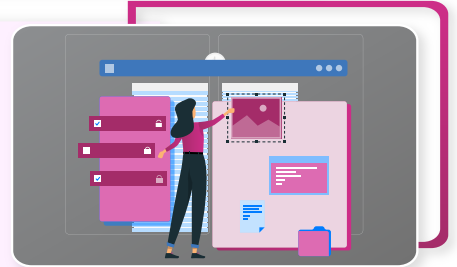


Advanced Image Processor - Picture-in-Picture (PiP):

Capture every angle with ease. PiP (Picture in Picture) smartly combines close-up views of speakers with a full-room perspective. Ideal for video calls, streaming, or recording—every detail is captured and processed by an efficient image engine. PiP works smoothly with Speaker Tracking or Auto Framing modes, ensuring full-room coverage at all times.

Intuitive Web GUI: Command with absolute ease.

The UNI-Q ProCAM Ai-NexG12 features an advanced, user-friendly web GUI. This intuitive interface empowers users to effortlessly control and operate the camera. Perform any desired action simply by clicking an icon, streamlining your workflow for maximum convenience and efficiency.



Real-Time Streaming, Built Right In:

UNI-Q ProCAM Ai-NexG12 features integrated RTSP support, enabling real-time audio and video streaming directly to your networked devices—such as PCs, smart displays, or mobile apps. More than just transmission, RTSP acts as an intelligent stream controller, ensuring smooth, on-demand delivery with ultra-low latency for a seamless conferencing or viewing experience.

Advanced Digital Processor:

At the heart of the ProCAM-NexG12 lies a powerful digital processor, purpose-built to handle the core of voice clarity — **the 3As: AGC, AEC, and ANS.**

AGC – Consistent Voice Levels, Always:- Automatic Gain Control (AGC) ensures your voice stays steady and strong, regardless of distance from the mic—perfect for smooth, uninterrupted conferencing.

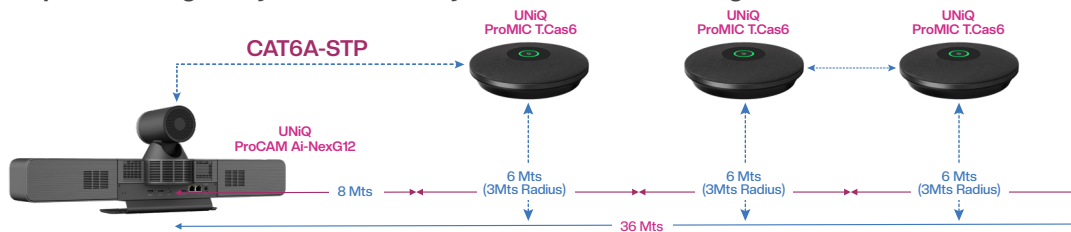
AEC - Automatic Echo Cancellation removes room echo for clear, natural speech.

ANS – Active Noise Suppression filters out unwanted background sounds—delivering sharp, crystal-clear audio.

Beamforming Digital Array 6MEMS Microphones:

This intelligently isolates and enhances the speaker's voice, delivering exceptional audio focus in any form and no matter where they are in the room. Using multiple high-performance mic elements and powerful DSP, it captures sound directionally by analyzing time-of-arrival differences — **enhancing voice, cancelling noise, and eliminating echoes.**

With a wide **8-meter pickup range**, it ensures **crystal-clear audio** even in large or dynamic room setups — making every word count in your video conferencing.



Expand with Ease:

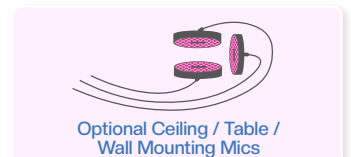
Smart mic expansion with seamless, flexible installation. One CAT6 cable handles it all → Audio → Power → Control

- ✓ Expand - Connect UNI-Q ProMIC-T.Cas6 to ProCAM Ai-NexG12 via a single CAT6A-STP cable.
- ✓ Each beamforming mic adds 3 meters of audio pickup—perfect for larger rooms.
- ✓ Cascade up to 3 mics for wider coverage and seamless audio.
- ✓ Flexible mounting—install on ceiling, table, or wall.



Optional Additional Multi Mount Beamforming Digital Microphone:

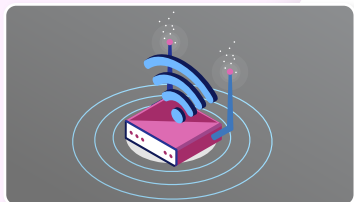
- ✓ Each UNI-Q ProMIC-T.Cas6 extends the audio pickup radius by 3 meters
- ✓ Cascade up to 3 microphones for wider coverage and seamless audio performance
- ✓ Connect effortlessly to the ProCAM Ai-NexG12 using CAT6A-STP cable
- ✓ Flexible mounting options: install on the ceiling, on a table, or on the wall





BYOD & BYOM – Simplified with USB-C Wireless Dongle

BYOD / BYOM



Wireless Collaboration, Made Effortless.: Connect the ProCAM Ai-NexG12's HDMI to your display and insert the USB-C dongle (Optional) into your laptop. Present your content wirelessly and, when needed, stream the camera feed back to your laptop for video conferencing — so everyone in the room stays engaged, and remote participants stay connected.

01

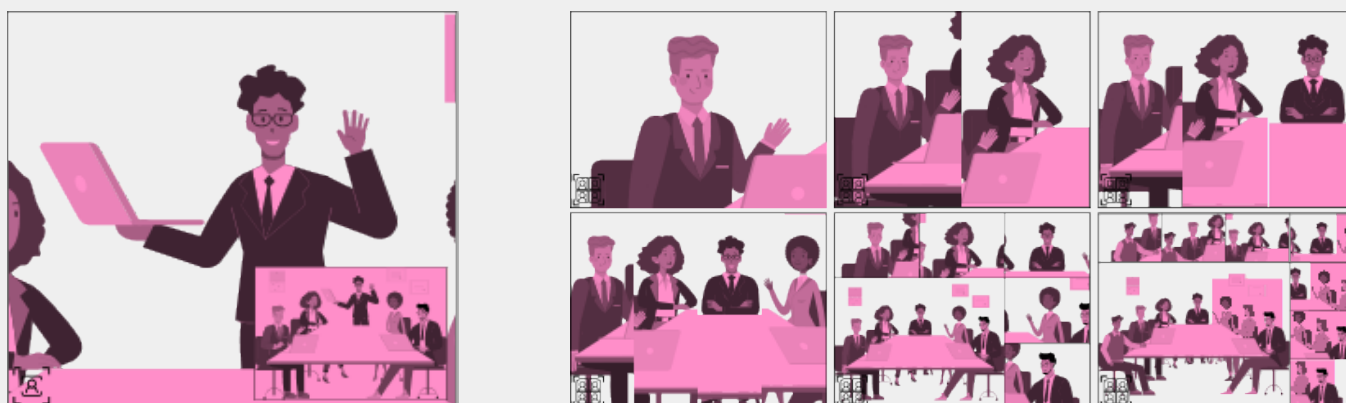
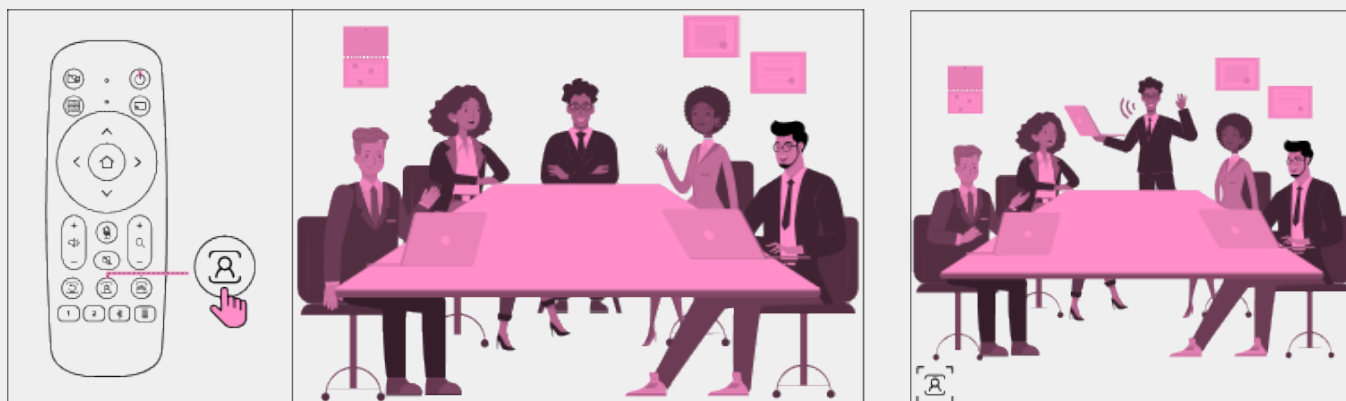
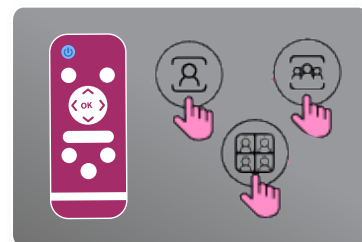
02

Plug. Click. Present.: Achieve true BYOD & BYOM flexibility with our USB-C (Optional) dongle — supporting 4K30fps. Just plug it into your laptop and instantly start presenting or do video conferencing — no wires, no setup, no hassle. Move freely, present from anywhere in the room, and stay in control.

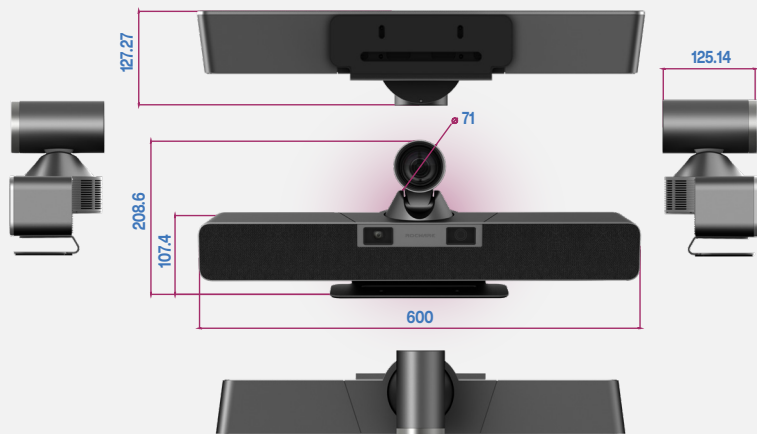


Streamline your workflow by Seamless Control the CAMERA modes:

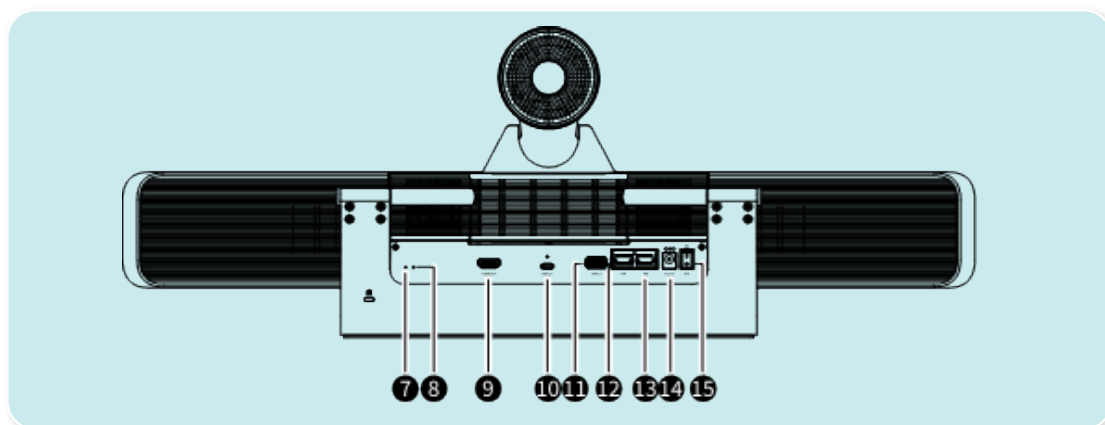
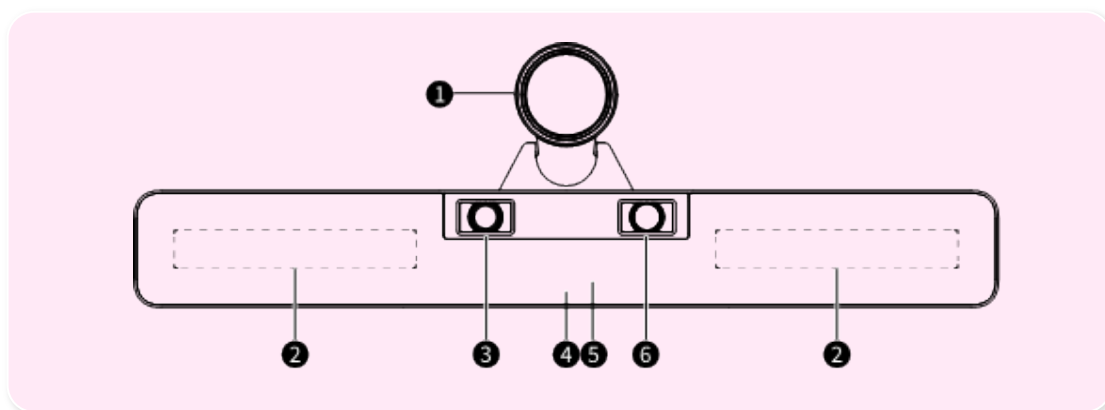
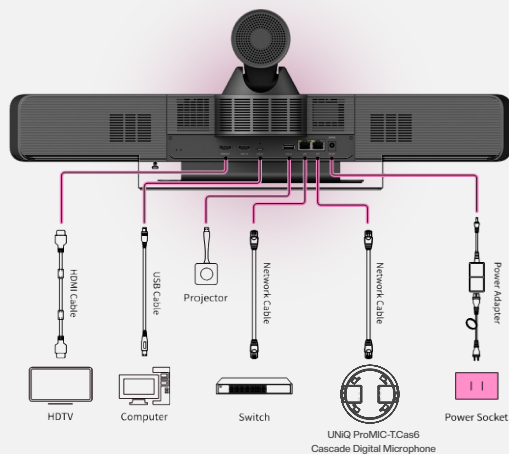
The UNI-Q ProCAM Ai-NexG12's user-friendly hand remote enhances your experience, providing effortless access to modes like Speaker Tracking, Smart Gallery, or Auto Framing. This intuitive control simplifies setup, saving time and energy.



Product Dimensions



Connectivity Options



No.	Name
1.	Features Lens
2.	Loudspeaker
3.	Panorama Lens
4.	Microphone
5.	Status Indicator
6.	IR Window
7.	Reset Port
8.	Burning Port

No.	Name
9.	HDMI OUT Interface
10.	USB 3.0 Type-C Interface
11.	USB 3.0 Type-A Interface
12.	LAN Interface
13.	EXT Interface
14.	DC 12V Interface
15.	ON/OFF Switch

Product Specifications

System Specification

Model	UNIq ProCAM Ai-NexG12
Product	All-In-One PTZ 4K @ 30FPS Video Conferencing Dual Camera Video Conferencing bar system

Main Camera

Camera Type	Motorised PTZ
Optical System	12x Optical zoom, f=4.4-51mm, F1.8-2.6
Image Resolutions	4K 30 FPS & Backward compatibility
Horizontal & Vertical FOV	70°~7.4° & 40°~4.2°
Pan & Tilt Angle	-90° ~ +90° & -23° ~ +23°
Pan & Tilt Speed	17° ~ 76° /s & 0.5° ~ 15° /s
DNR & SNR	2D & 3D ; ≥50dB
Backlight Compensation Support	Yes

Network Specifications

No. of Network Interfaces & Type	2 & RJ45
RJ45 - Network Interface. Port:-1	Supports network connectivity, expansion microphone integration, and PoE power supply
RJ45 - Network Interface. Port:-1	10/100/1000M adaptive Ethernet port — supports high-speed audio and video network transmission
WiFi Casting	WiFi-5 with optional dongle
Streaming Protocol Support	RTSP & TCP/IP

Parts, Ports & Others

HDMI	HDMI Out x1
USB-A3.0	1Port - For peripheral connectivity like Microphone and etc
USB-C3.0	1Port - For UVC connection with Windows based system and firmware upgrades, backward compatible with USB 2.0 Supports UVC 1.1, and UAC 1.0.
Compression	H.264 / MJPEG / YUY2
Speakers	2 full-range speakers, Individual output power: 16W
Microphone & Technology	Beamforming digital array MEMS microphones - 6Nos
Microphone Pickup	Upto 8Mts
Audio System Sampling Rate	48K
Audio DSP	AEC AEC ANS

Optional Accessory

BYOD & BYOM	Yes USB-C Wireless dongle
-------------	---------------------------

Panoramic Camera

Camera Type	Wide Angle Camera
Optical System	1/2.8" CMOS 8.5MP
Image Resolutions	4K 30 FPS & Backward compatibility
Diagonal, Horizontal & Vertical FOV	DFOV: 120°, HFOV: 110°, VFOV: 74.6
EPTZ Support	Yes
DNR & SNR	2D & 3D ; ≥50dB
Backlight Compensation Support	Yes

Optional Expansion Microphone

Expansion Mic Model	UNIq ProMIC-T.Cas6
Expansion Mic Technology	Beamforming Omni directional 360degree pickup -38DB 6Microphones 50Hz-16Khz AGC AEC ANS
Expansion Mic Mounting	Table / Ceiling / Wall
No.Of. Expansion on CAT6A STP Cascade	3 Nos with UNIq ProCAM=Nexg12 6Nos cascade as individual systems
Coverage of each expansion microphone	3Meters

General System

System Control	IR remote & TCP/IP
IR Hand Remote Functions	1) Presets 2) Pip 3) Smart Gallery mode 4) Auto framing 5) Speaker tracking 6) 4 direction navigation button 7) Home button 8) ZOOM & Volume control button 9) Mic mute 10) Speaker Mute and few more
Dimensions (W X D X H)	Without Stand: 600 × 127.1 × 182.1mm With Stand: 600 × 127.1 × 217.1mm
Storage Temperature & Humidity	-40° C ~ 60° C & 20%-95%
Operating Temperature & Humidity	0° C ~ 55° C & 20%-90%
Power	DC12V, 5Amps, 60Watts
Power Adaptor	230VAC, 50Hz to 12VDC,5A Adaptor
Product Weight	4Kg
In the Box	Main Product, Hand remote, Mounting Kit, Power Adaptor, Connectivity cables and Operation User Manual,

Disclaimer

- Specifications, features, visuals, and models are subject to change without notice.
- Product availability and features may vary by region.
- Colours/images shown are for reference only; actual product may differ.
- Warranty terms vary by model and region—refer to official documentation.
- We recommend staying updated via our official channels for the latest info.
- Performance may improve with software/firmware updates.
- All trademarks belong to their respective owners.
- We are not liable for typographical or illustrative errors.
- Please dispose of products responsibly as per local e-waste norms.
- Data (if applicable) is handled per our privacy and regulatory compliance.
- No liability is assumed for indirect or consequential damages.

Contact UNIq

+442034767436 | info@digitaluniq.com

www.digitaluniq.com | www.uniqint.com

UNIq DIGITAL LTD Kemp House 160 city Road, London, EC1V2NX, UK

Connect with us



Locations



UK | USA | UAE | KSA | QATAR | AFRICA | SINGAPORE | INDIA